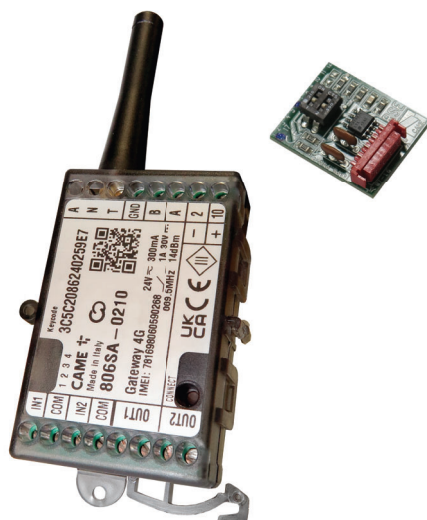


FA02172-EN



806SA-0210

806SA-0220

806SA-0230

INSTALLATION MANUAL

General precautions for installers

Below are the general safety warnings for installation.

Read the instruction manual carefully before beginning the installation and carry out the procedures as specified by the manufacturer. • All operations indicated in this manual must be carried out exclusively by skilled and qualified personnel and in full compliance with the regulations in force. • Make sure the mains power supply is disconnected during all installation procedures. • Before carrying out any cleaning or maintenance, or replacing any parts, disconnect the device from the power supply. • Only use this product for its intended purpose. Any other use is hazardous. • The manufacturer cannot be held liable for any damage caused by improper, unreasonable or erroneous use. • Also check the warnings in the installation and use manuals for the operator the product is associated with. • Keep this information. • The product, in its original packaging supplied by the manufacturer, must only be transported in a closed environment (railway carriage, containers, closed vehicles). • If the product malfunctions, stop using it and contact customer services at <https://www.came.com/global/en/contact-us> or via the telephone number on the website. • The manufacture date is provided in the production batch printed on the product label. If necessary, contact us at <https://www.came.com/global/en/contact-us>. • The general conditions of sale are given in the official CAME price lists.

Legislative references

This product complies with the applicable standards in force at the time of manufacturing.

CAME S.p.A. declares that the product described in this manual complies with Directive 2014/53/EU and the Radio Equipment Regulations 2017.

The full EC declaration of conformity and UK Conformity Assessed (UKCA) marking information can be found at www.came.com.

Dismantling and disposal

Dispose of the packaging and the device responsibly at the end of its life cycle, in compliance with the laws in force in the country where the product is used. The recyclable components are marked with the material symbol and ID.

THE DATA AND INFORMATION IN THIS MANUAL MAY BE CHANGED AT ANY TIME AND WITHOUT NOTICE. •

MEASUREMENTS ARE IN MILLIMETRES, UNLESS STATED OTHERWISE.

Description

806SA-0210

Standalone 4G Gateway module for remote management of CAME operators with the CAMEConnect system (002RSE module included).

806SA-0220

4G Gateway module with built-in radio, for remote management of CAME operators with the CAMEConnect system (002RSE module included). Control up to 5 slave modules.

806SA-0230

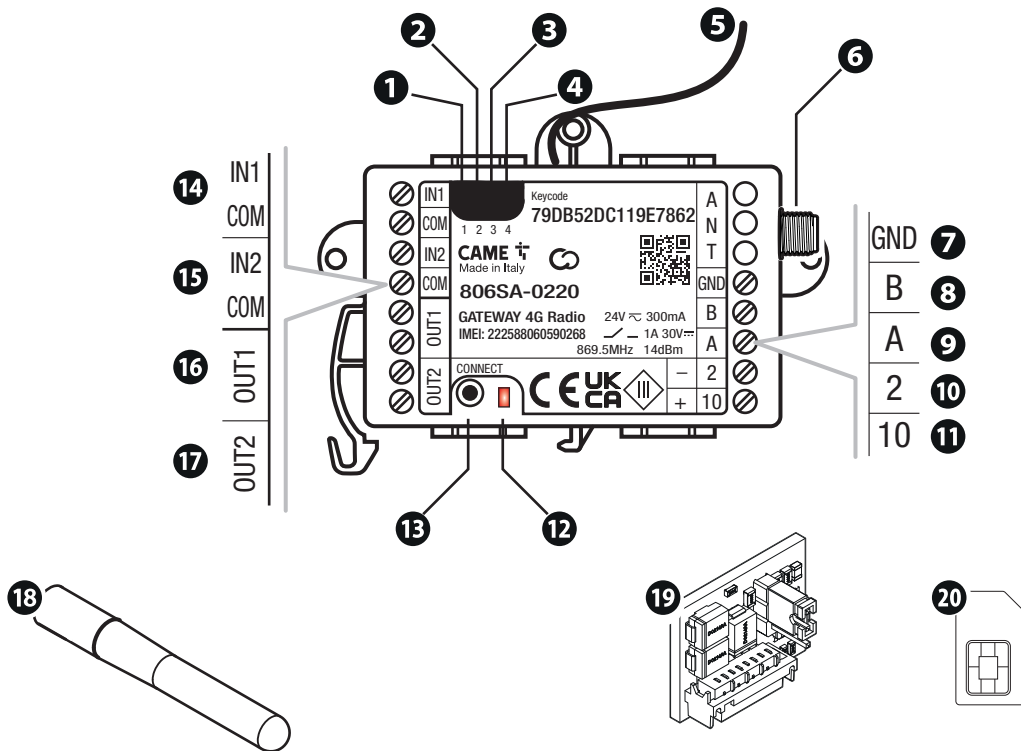
Standalone 4G Gateway module with SIM (4 years / 480 MB of connectivity included) for controlling CAME operators remotely with the CAMEConnect Cloud and the Quick&Easy function (002RSE module included).

Description of parts

- ❶ 4G LED (blue)
- ❷ OUT1 LED (red)
- ❸ OUT2 LED (red)
- ❹ POWER LED (green)
- ❺ Antenna*
- ❻ Antenna plug
- ❼ Interface 485 earth
- ❽ Interface 485 PIN B
- ❾ Interface 485 PIN A
- ❿ - Power supply
- ⓫ 10, + Power supply
- ⓬ CONNECT LED (red)
- ⓭ P1 button for resetting or rebooting the module
- Press and hold for 10 seconds to reset the module to its factory settings.
- Press and hold for more than 3 seconds and then release to reboot the module.
- ⓮ Input 1 and common input
- ⓯ Input 2 and common input
- ⓰ Relay 1, 30V DC - 1A (max) N.O.
- ⓱ Relay 2, 30V DC - 1A (max) N.O.
- ⓲ Antenna
- ⓳ Function control board (RSE)
- ⓴ Mini SIM card**

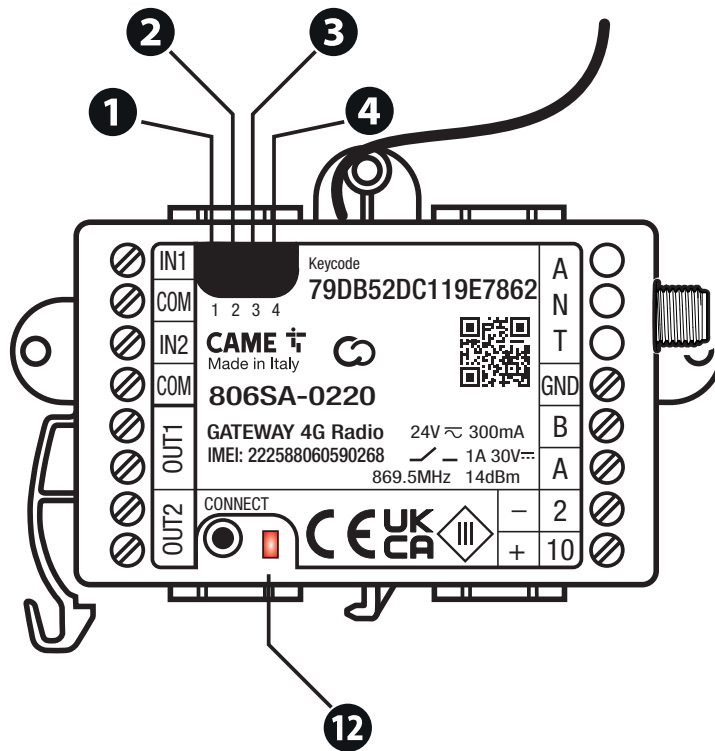
*Only for 806SA-0220

**Only for 806SA-0230



LED status key

LED	Off	On	Slow flash (1 per second)	Quick flash (5 per second)
❶	4G LED (blue)	4G module off	4G module on, not connected to the network	4G module connected to the network
❷	OUT1 LED (red)	Relay 1 open	Relay 1 closed	
❸	OUT2 LED (red)	Relay 2 open	Relay 2 closed	
❹	POWER LED (green)	Device not powered up	Device configured	P1 button pressed
❷	CONNECT LED (red)	Not connected to CAMEConnect	Connected to CAMEConnect	Connecting
				Firmware updating



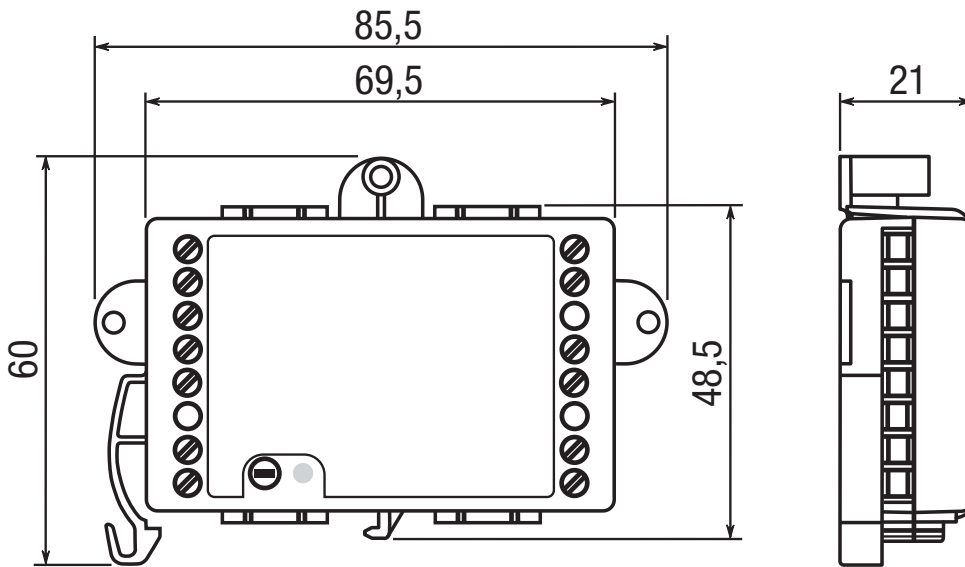
Technical data

MODELS	806SA-0210	806SA-0220	806SA-0230
Power supply (V AC / DC)	12 - 30	12 - 30	12 - 30
Power (W)	3	3	3
Maximum absorption (mA)	200	200	200
Contact range (A)	1	1	1
Maximum contact voltage (V)	30	30	30
Maximum length of the cable connected to the 485 output (m)	1000	1000	1000
Operating temperature (°C)	-20 ÷ +70	-20 ÷ +70	-20 ÷ +70
Storage temperature (°C)*	-20 ÷ +70	-20 ÷ +70	-20 ÷ +70
Frequency (MHz)	-	869.5	-
Radio frequency LTE (MHz)	700 / 800 / 850 / 900 / 1800 / 2100 / 2600	700 / 800 / 850 / 900 / 1800 / 2100 / 2600	700 / 800 / 850 / 900 / 1800 / 2100 / 2600
Radio signal range 869.5 MHz in an open area (m)	-	100	-
Radio signal power at 869.5 MHz (dbm)	-	14	-
LTE transmission power (dBm)	23	23	23
LTE frequency bands	B1/B3/B5/B7/B8/ B20/B28	B1/B3/B5/B7/B8/ B20/B28	B1/B3/B5/B7/B8/ B20/B28
Digital inputs (V DC max)	24	24	24
Type of installation	DIN	DIN	DIN
Average life (cycles)**	100000	100000	100000

(*) Before installing the product, keep it at room temperature where it has previously been stored or transported at a very high or very low temperature.

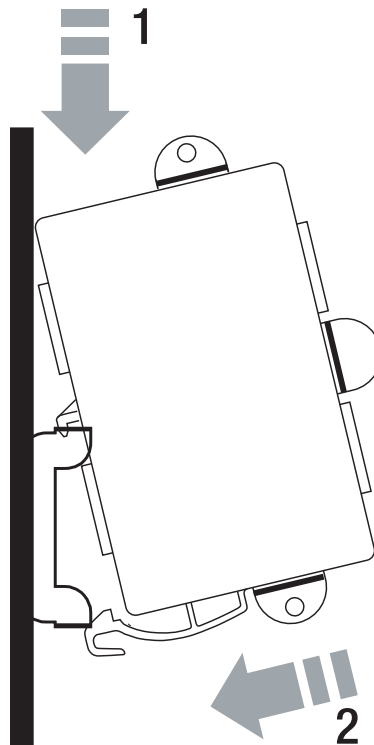
(**) The average product life is a purely indicative estimate. It applies to compliant usage, installation and maintenance conditions. It is also influenced by other factors, such as climatic and environmental conditions (where present, see the MCBF table).

Size



Installation

- ⚠ Do not install radio devices less than 4 meters apart.
- ⚠ Place the antenna as high up as possible from the ground, well away from any metal or reinforced-concrete structures.
- 🔧 Fix the module to the DIN rails, where present on the operator.
- 📖 The module can also be installed outdoors, provided it is fastened inside a case with a protection rating of at least IP44.
- ⚠ To improve 4G signal strength, install the device away from metal surfaces or objects. If the electronic board is inserted in metal containers, make sure the antenna is installed externally.



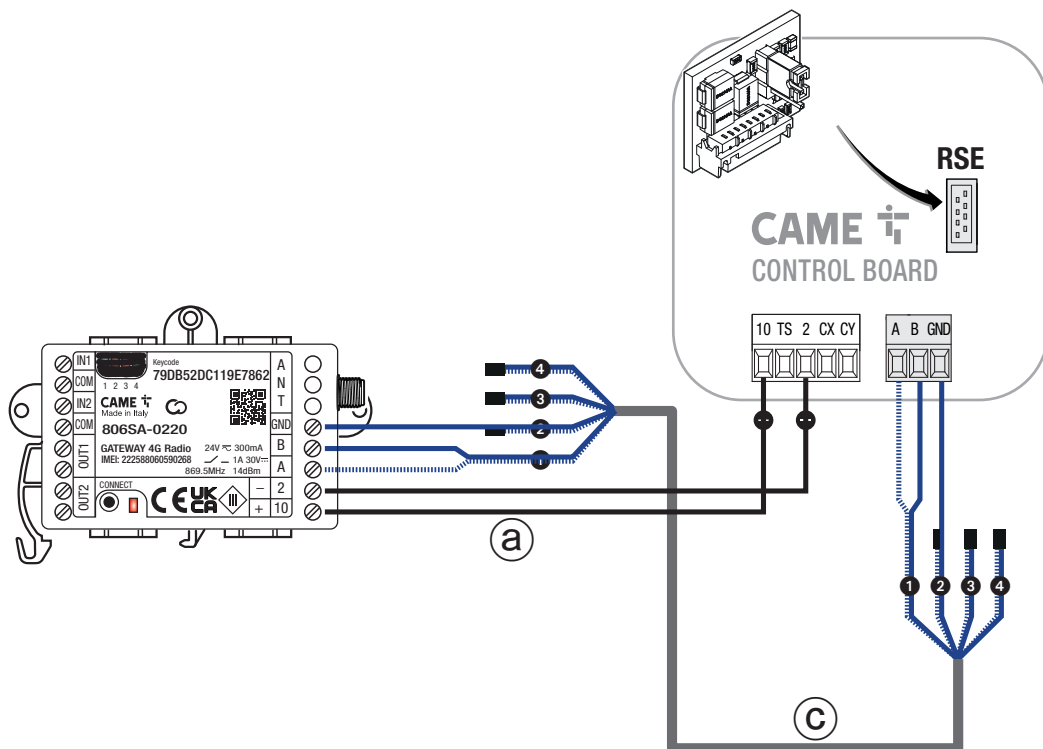
Electrical connections

- ⚠ Before making any connections, YOU MUST DISCONNECT THE MAINS POWER.
- ⚠ If the device is not powered by a Came control panel, make sure the power supply has a current limiter of no more than 1A.
- ⚠ Where the device is connected to a CAME control panel equipped with CRP via terminal A-B-GND, power the module only from terminals 2-10 on the panel itself.

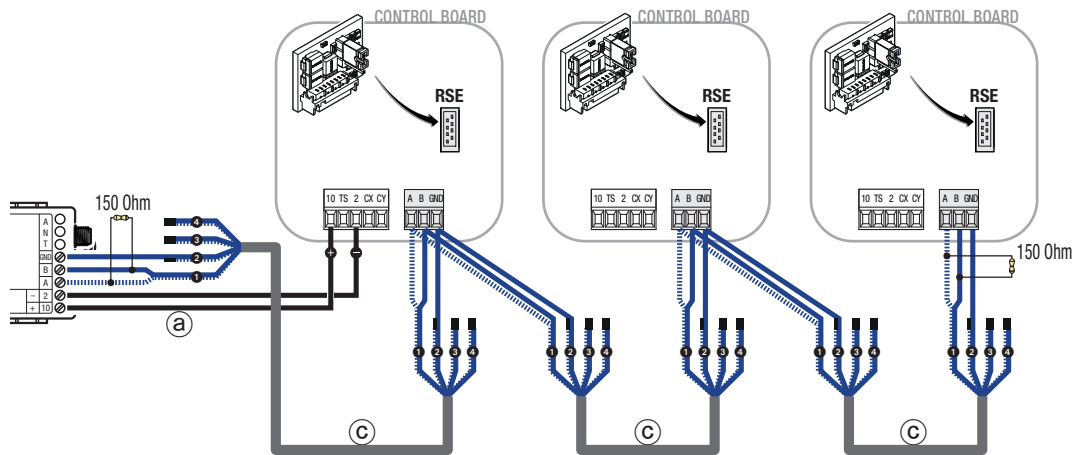
Cable length

Section	Cable type	Max. length
(a)	PVC FROR 2 x 0,5	3 m
(c)	UTP CAT5 - AWG24	1000 m

Connecting a single operator



Connecting several operators



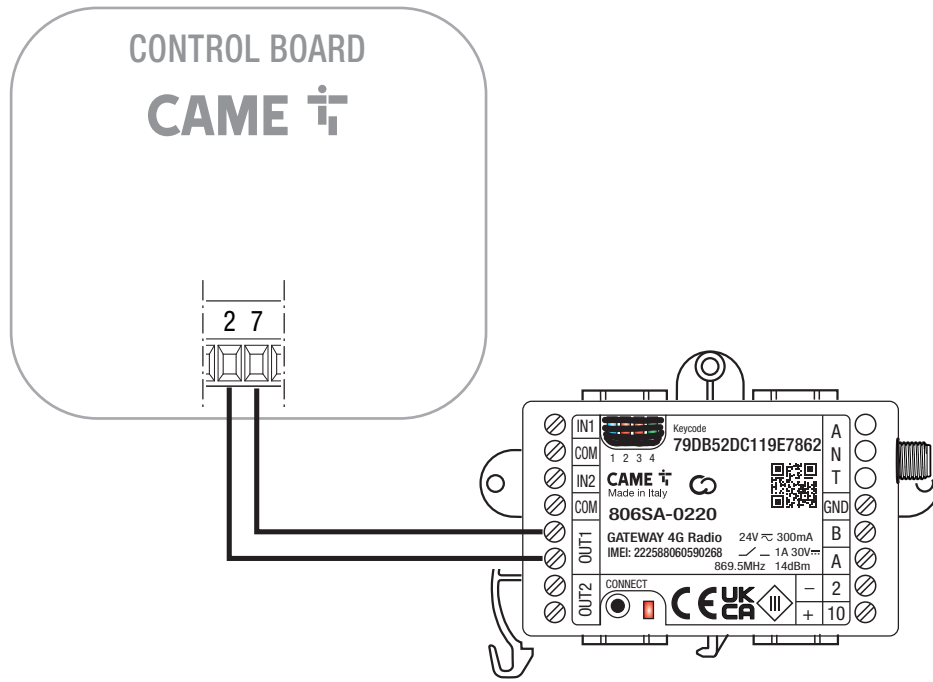
📖 If necessary, insert the RSE card and set a peripheral number for each card (see the [F56 Peripheral Number] function in the operator or control panel manual).

📖 All the operators connected to the module must have their Baud rate set to 38400 (see the [F63 RSE Speed] function in the operator or control panel manual).

📖 The module compatibility table is available at the following address:

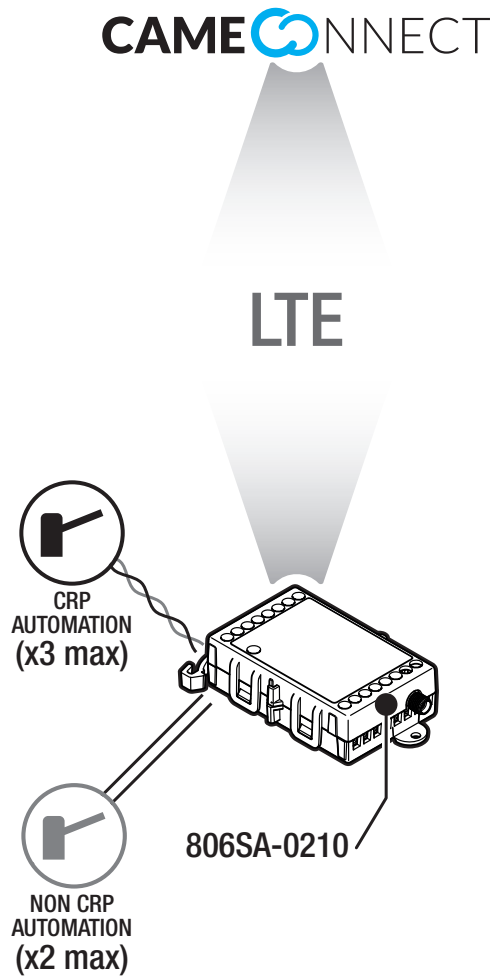
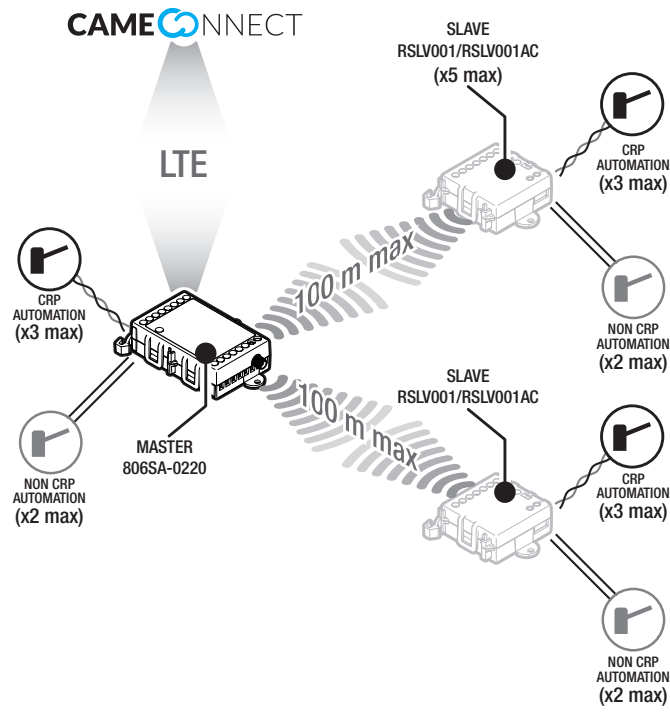
https://download.cameconnect.net/manual/compliant_devices.pdf

Connecting non-CRP operators




Using the relay outputs you can control up to 2 operators with CAMEConnect and view their status.

Example set-ups





Configuration

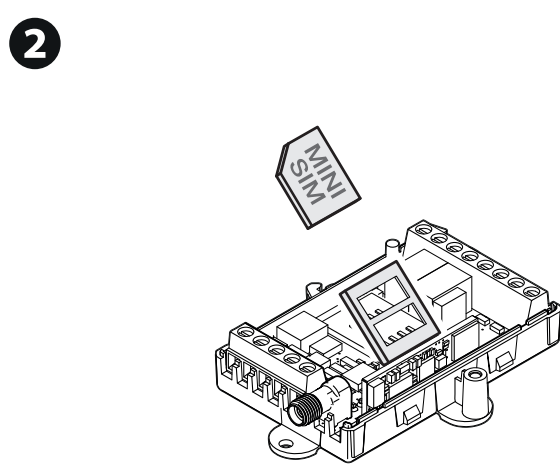
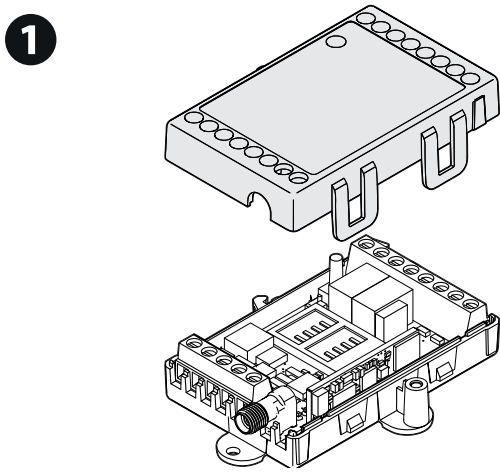
 The configuration procedure is not required for 806SA-0230.

 Before configuring, make sure that the module is disconnected from the mains power and that the PIN code for the SIM card is disabled.

 The SIM card (not included) must be enabled for data traffic, and for sending and receiving SMSs. Check costs and availability with your local mobile telephone provider.

 Data consumption depends on the number and type of devices associated with the module, and how they are used with the CAMEConnect system.


-  Note down the SIM card number, remove the shell and insert the SIM card into the relevant slot.
-  Replace the shell and power up the module.



Send an SMS from your phone to the SIM number containing the text:

APN: XXXXXX

Replace the X with the Access Point Name (APN) identifying the mobile network through which the telephone provider for your SIM grants internet access.

 Make sure you replicate all uppercase and lowercase letters and punctuation.

 Some mobile telephone providers request that a username and password also be set.

In this case, send an SMS from your phone to the SIM number containing the text:

APN: internet.com

USR: wapuser1

PSW: wap

After a few seconds, the module sends an automated reply [RECEIVED], then it restarts and connects to the server.

If the APN configuration is unsuccessful, the module replies [NOT CONFIGURED].

 Should the APN need to be changed when replacing the SIM, repeat the configuration procedure.

 You must register the module on your CAMEConnect account using the keycode printed on the label.

Troubleshooting

Problem	Possible causes*	Solutions
The module will not switch on	No power supply	Check whether the power is on Check the power supply connections
The module will not connect to the cloud	The SIM is not configured correctly	Check that the SIM is active and has an active data plan Check the APN configuration with your telephone provider
The module occasionally disconnects from the cloud	Calls or SMSs are being sent to the SIM Insufficient 4G signal	Check that no calls or SMSs are being sent to the SIM Check the 4G signal coverage at the installation point

The contents of this manual may be changed at any time and without notice.

CAME 

CAME.COM

CAME S.P.A.

Via Martiri della Libertà, 15

31030 Dosson di Casier

Treviso - Italy

Tel. (+39) 0422 4940

Fax (+39) 0422 4941

info@came.com - www.came.com